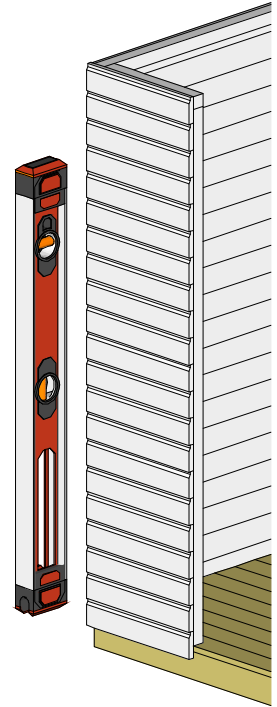
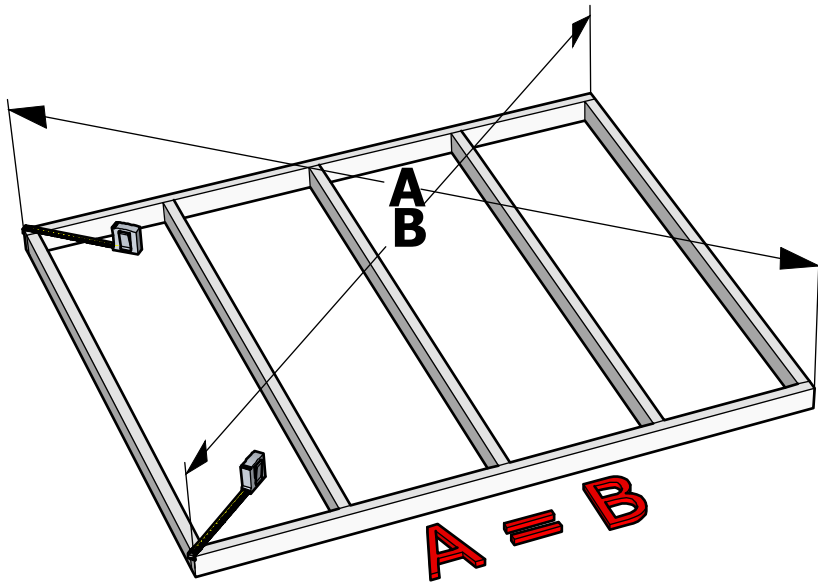
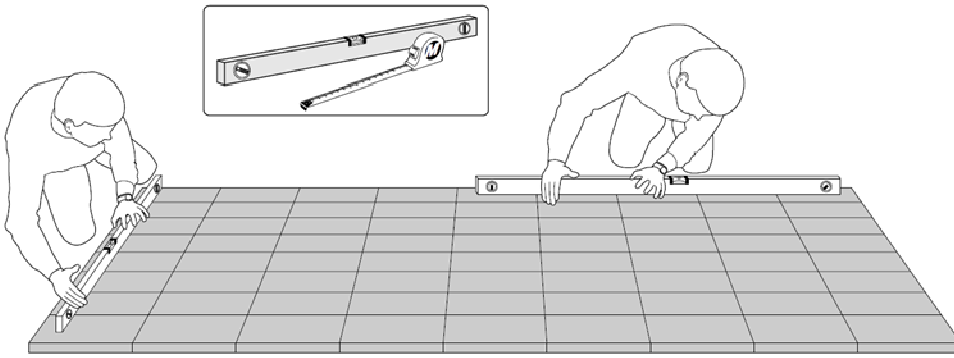
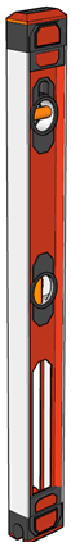
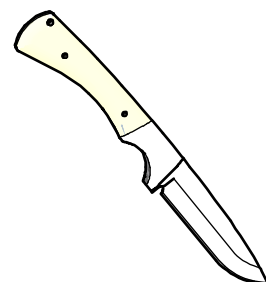
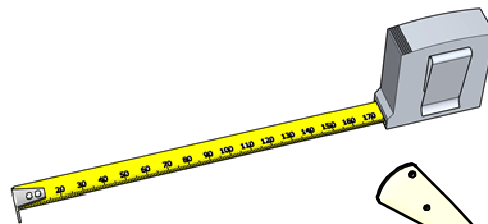
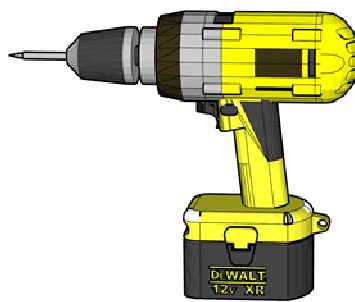
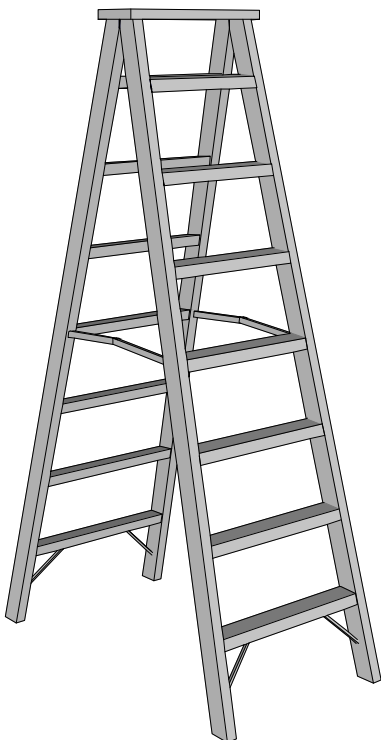


**Assembly instruction.
Greenhouse 6,5**

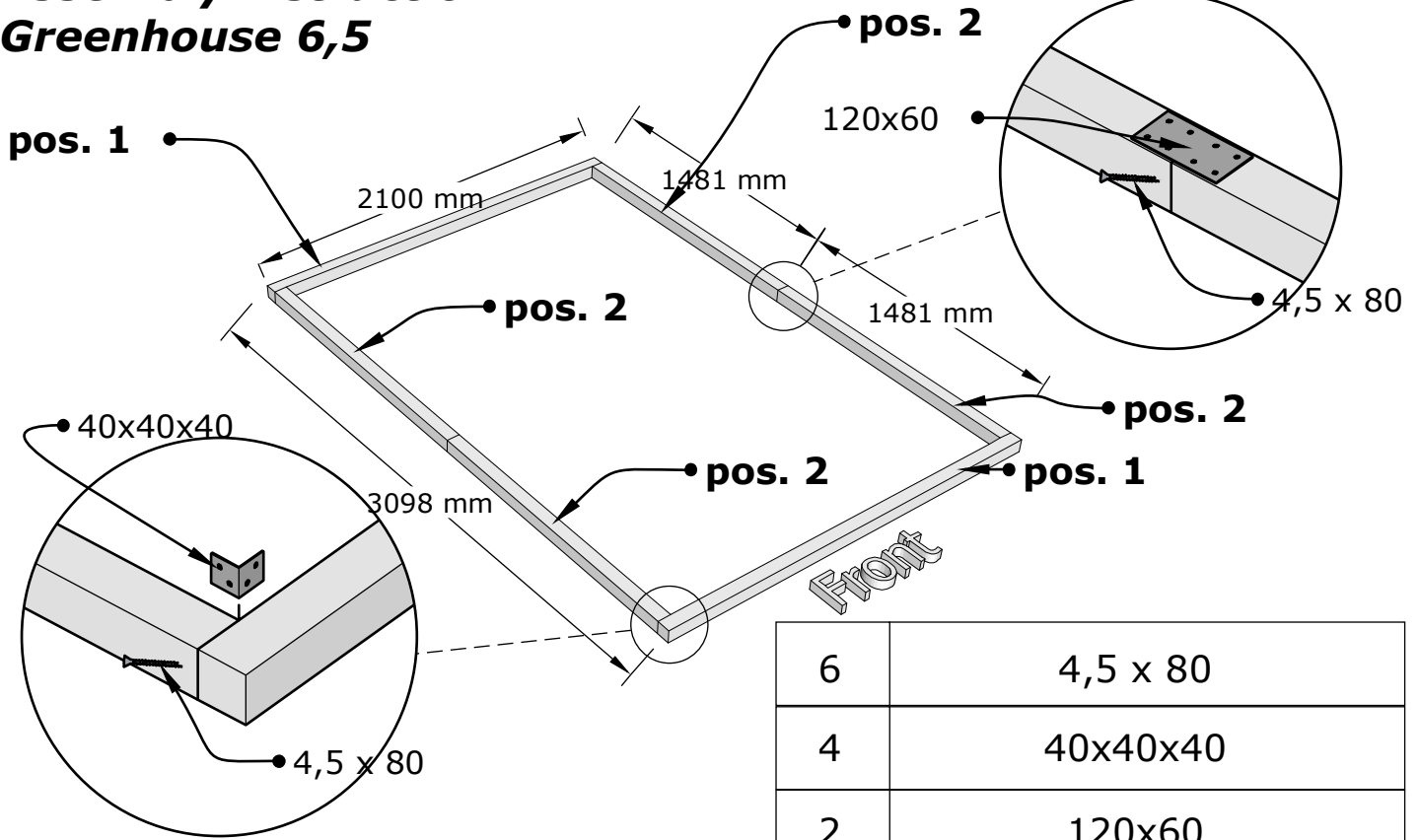
IMPORTANT !



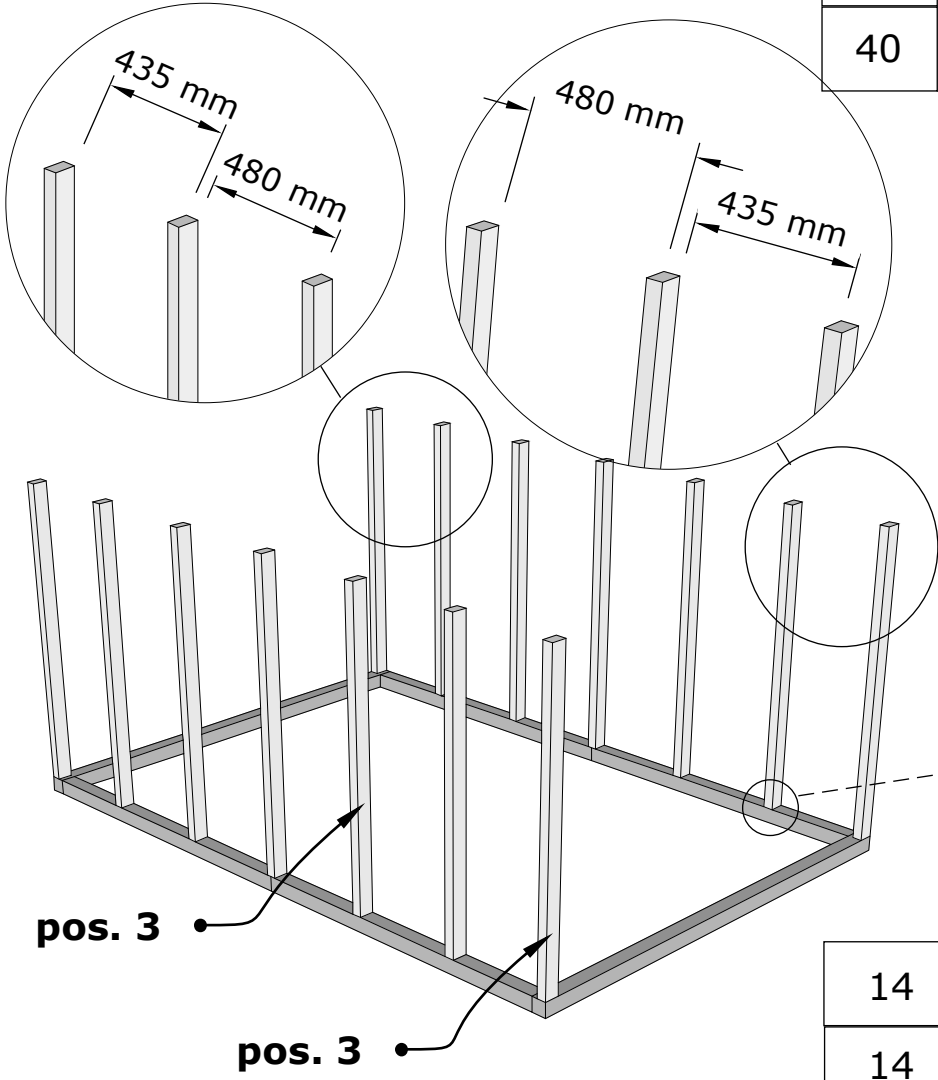
TOOLS



Assembly instruction. Greenhouse 6,5

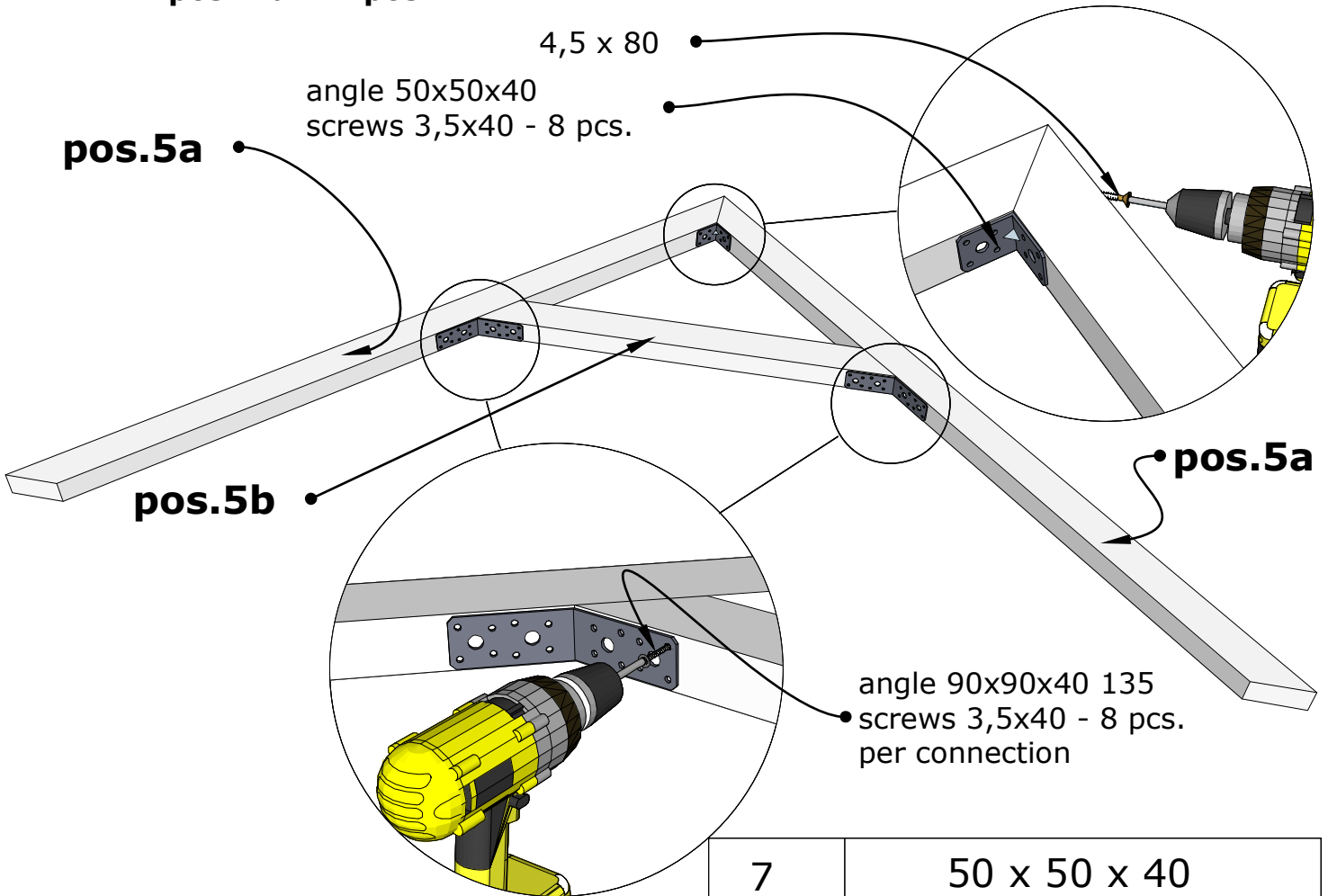
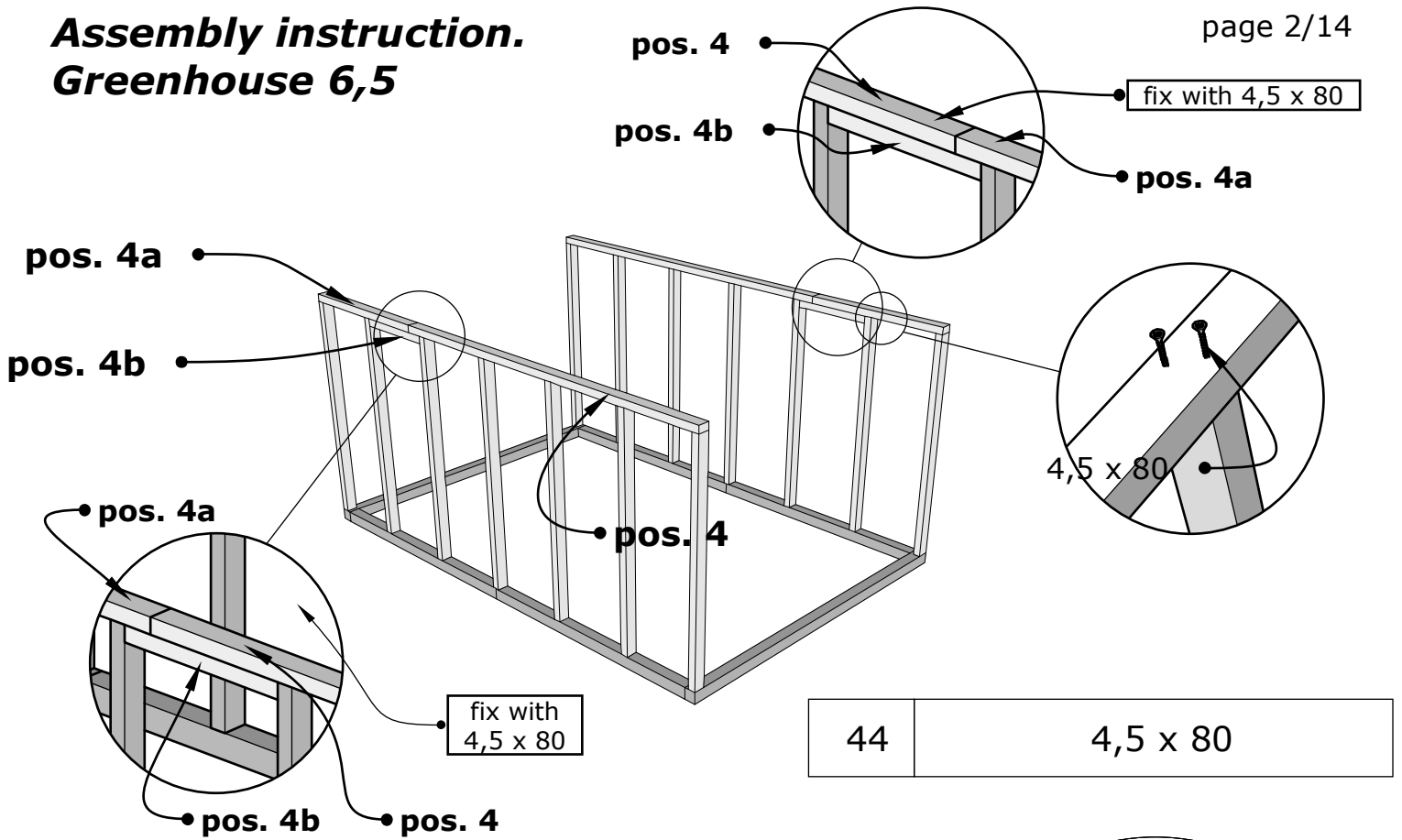


6	4,5 x 80
4	40x40x40
2	120x60
40	3,5 x 40

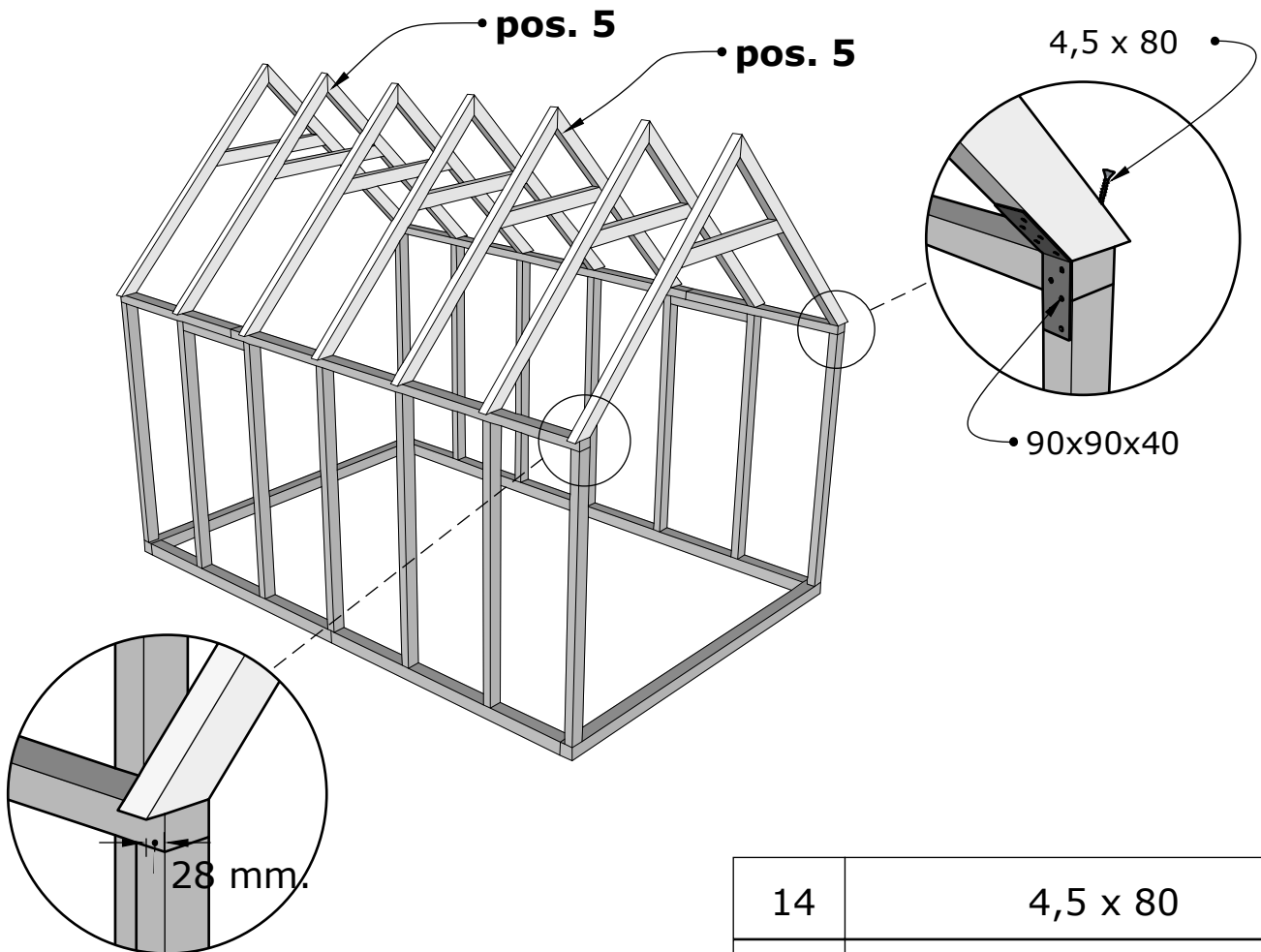
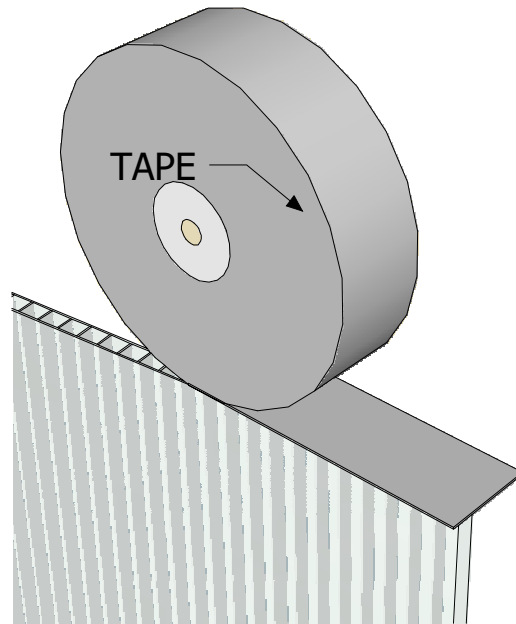


14	4,5 x 80
14	40x40x40
84	3,5 x 40

Assembly instruction. Greenhouse 6,5

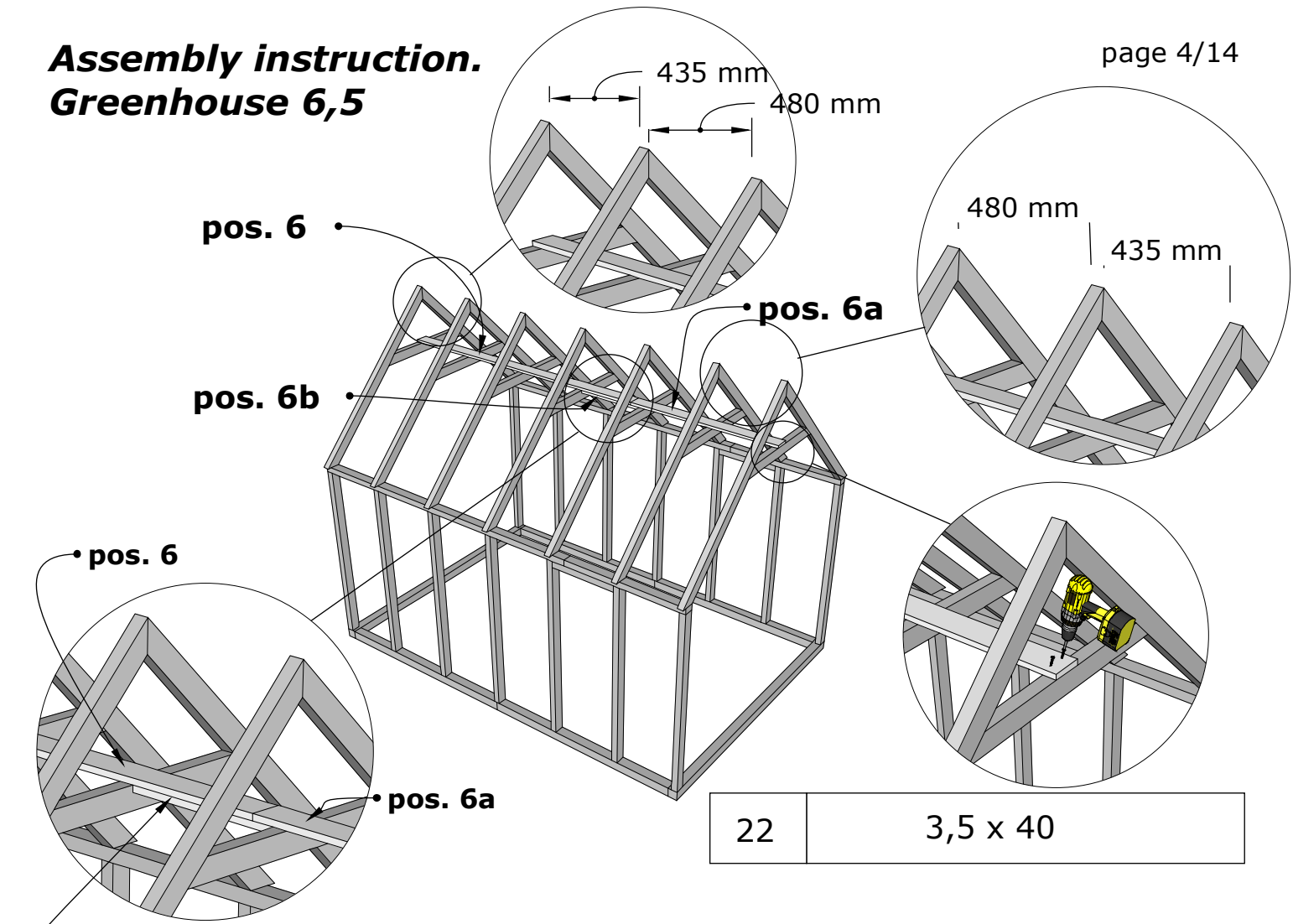


please tape the ends of the polycarbonate elements before installation!

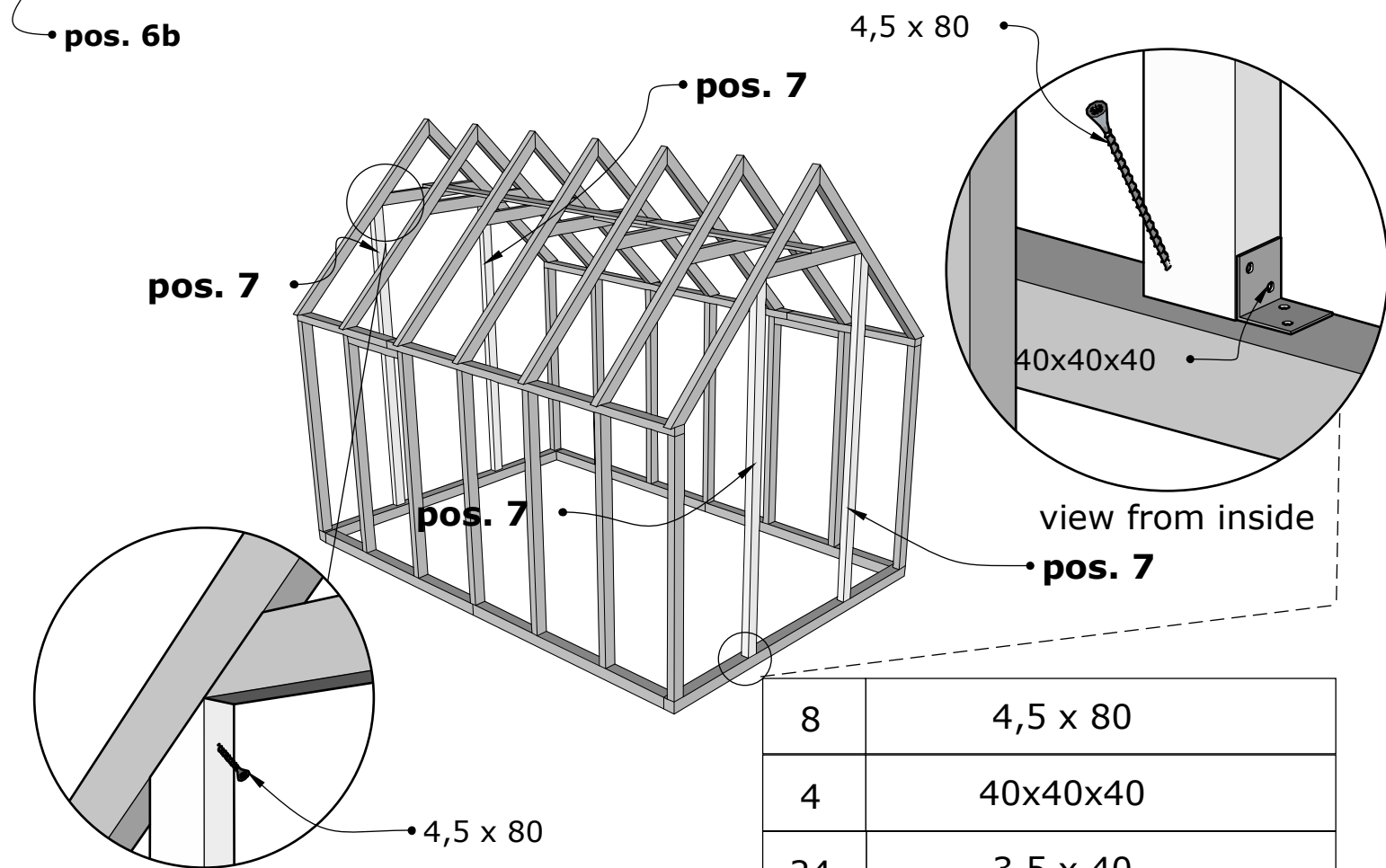


14	4,5 x 80
14	90x90x40
112	3,5 x 40

Assembly instruction. Greenhouse 6,5

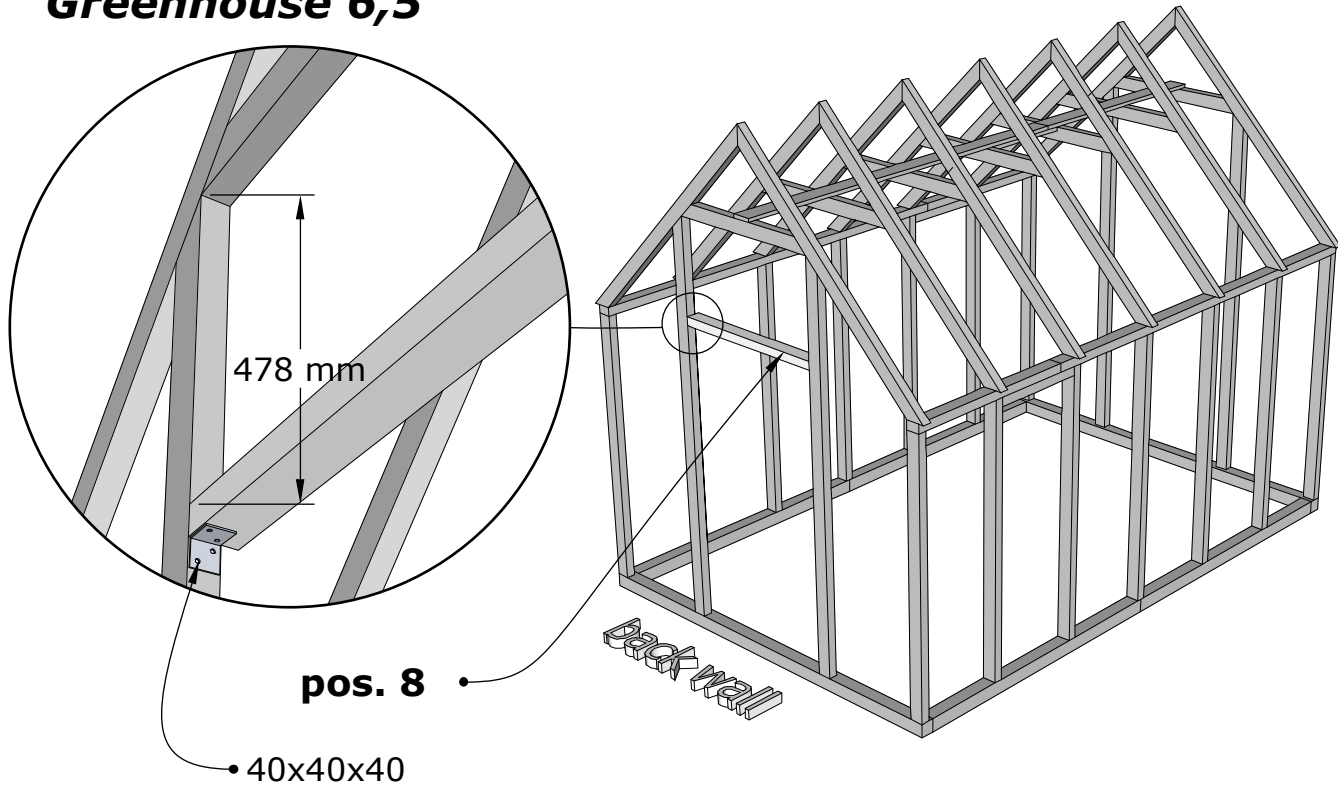


22	3,5 x 40
----	----------

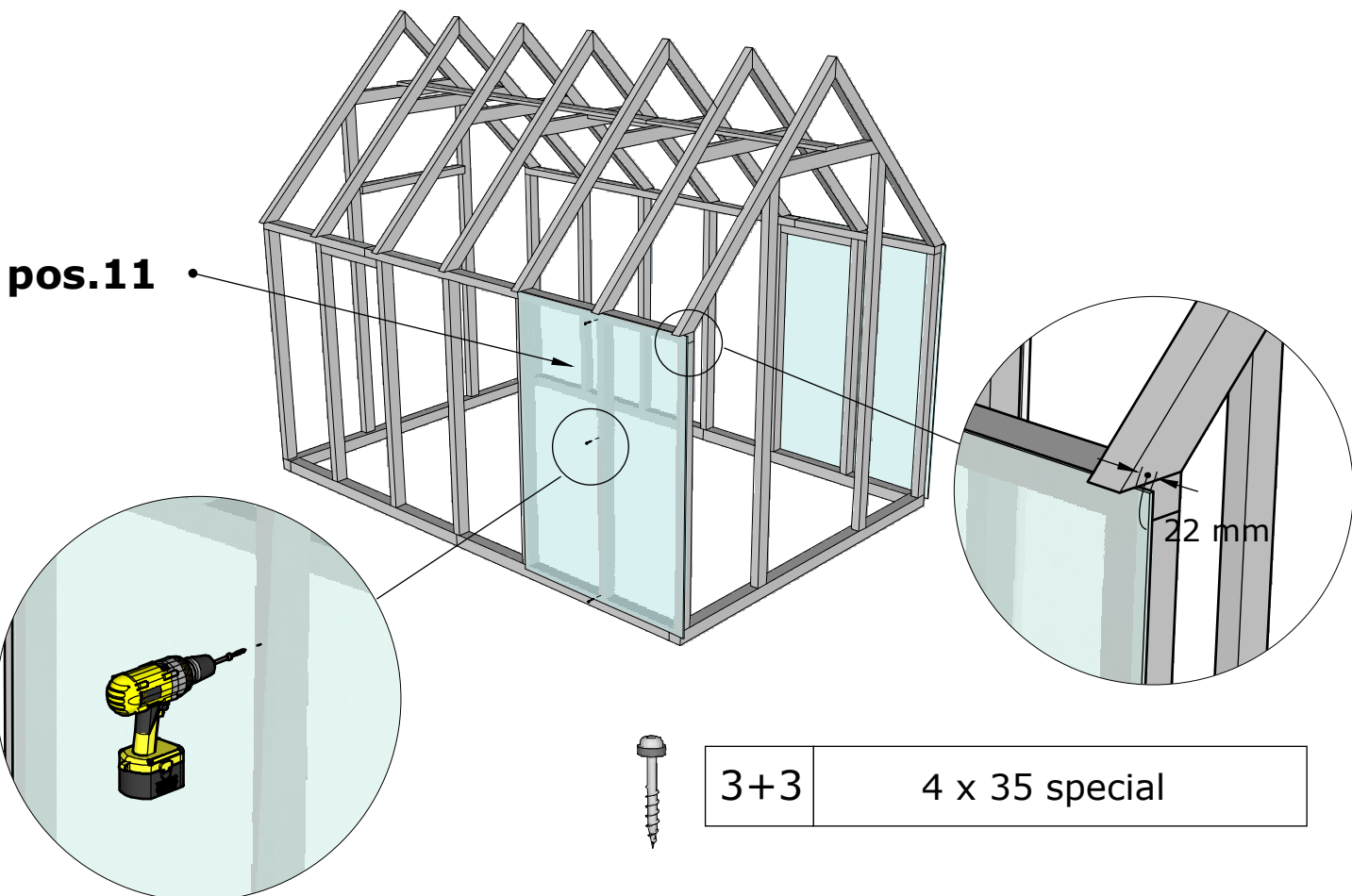


8	4,5 x 80
4	40x40x40
24	3,5 x 40

**Assembly instruction.
Greenhouse 6,5**

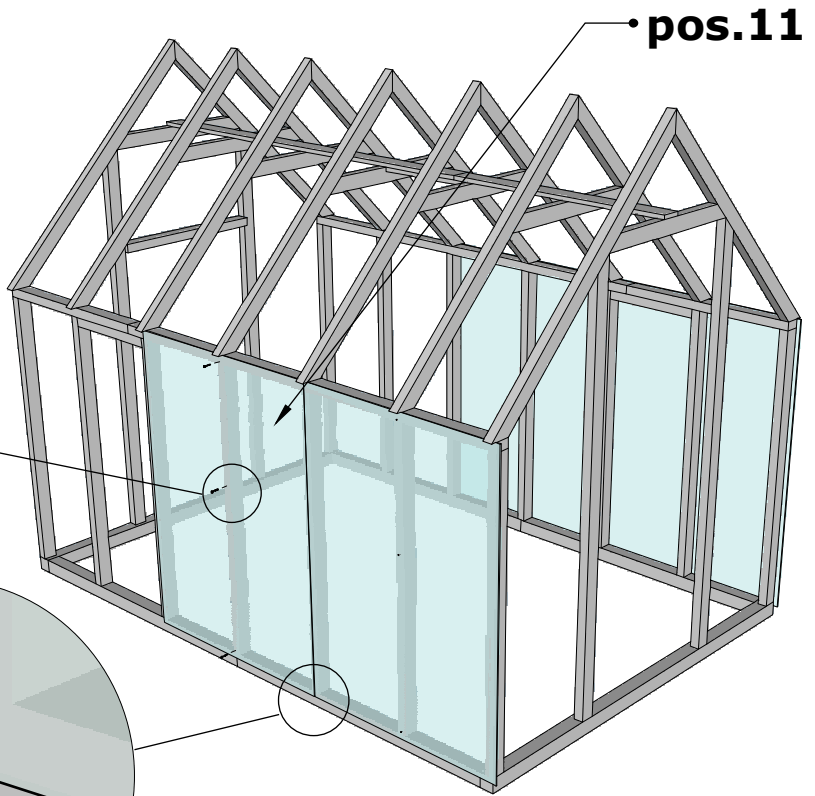
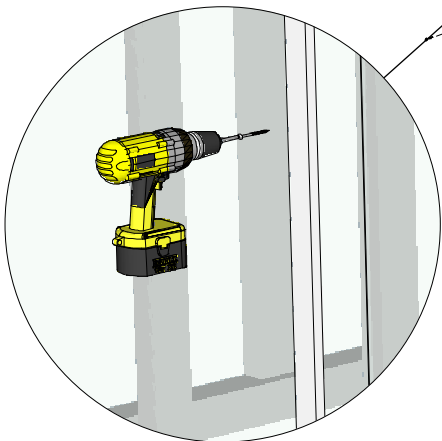
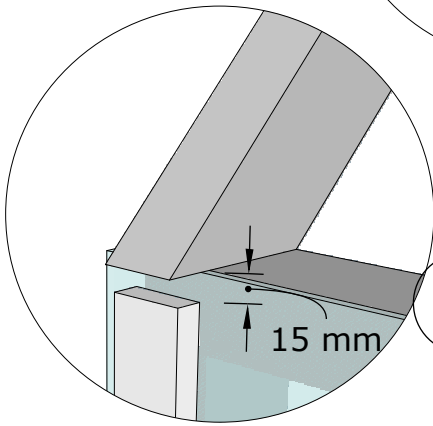
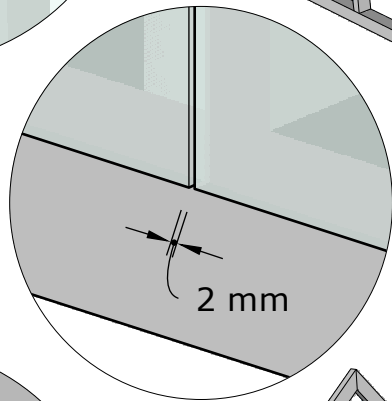
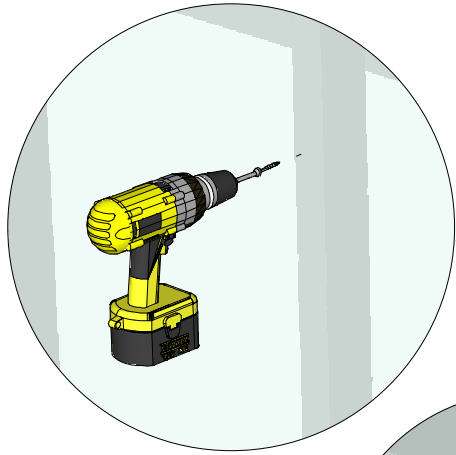


2	40x40x40
12	3,5 x 40

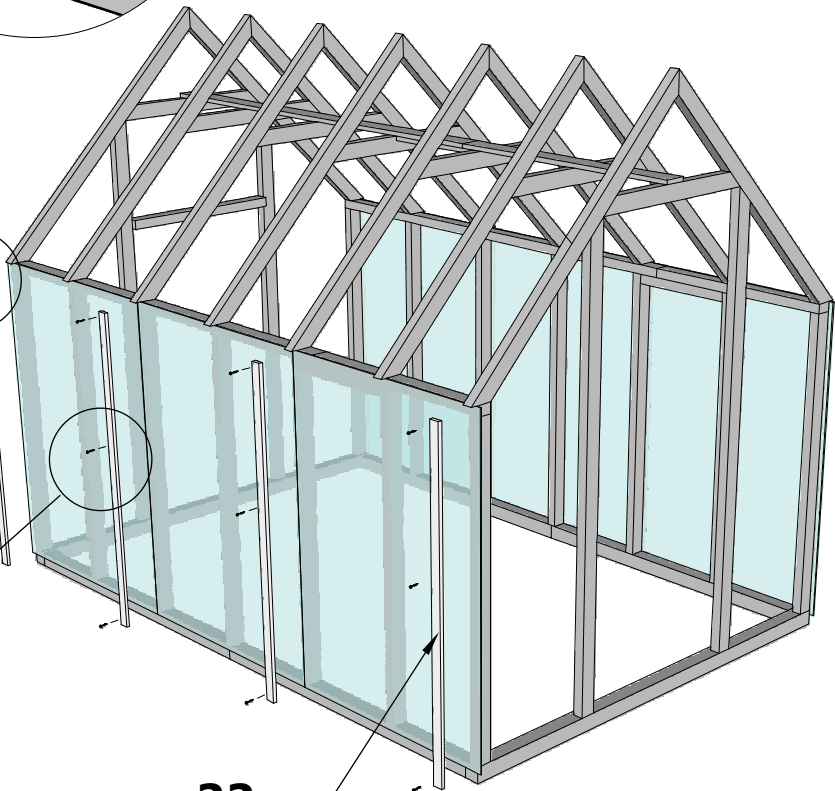


3+3	4 x 35 special
-----	----------------

Assembly instruction.
Greenhouse 6,5

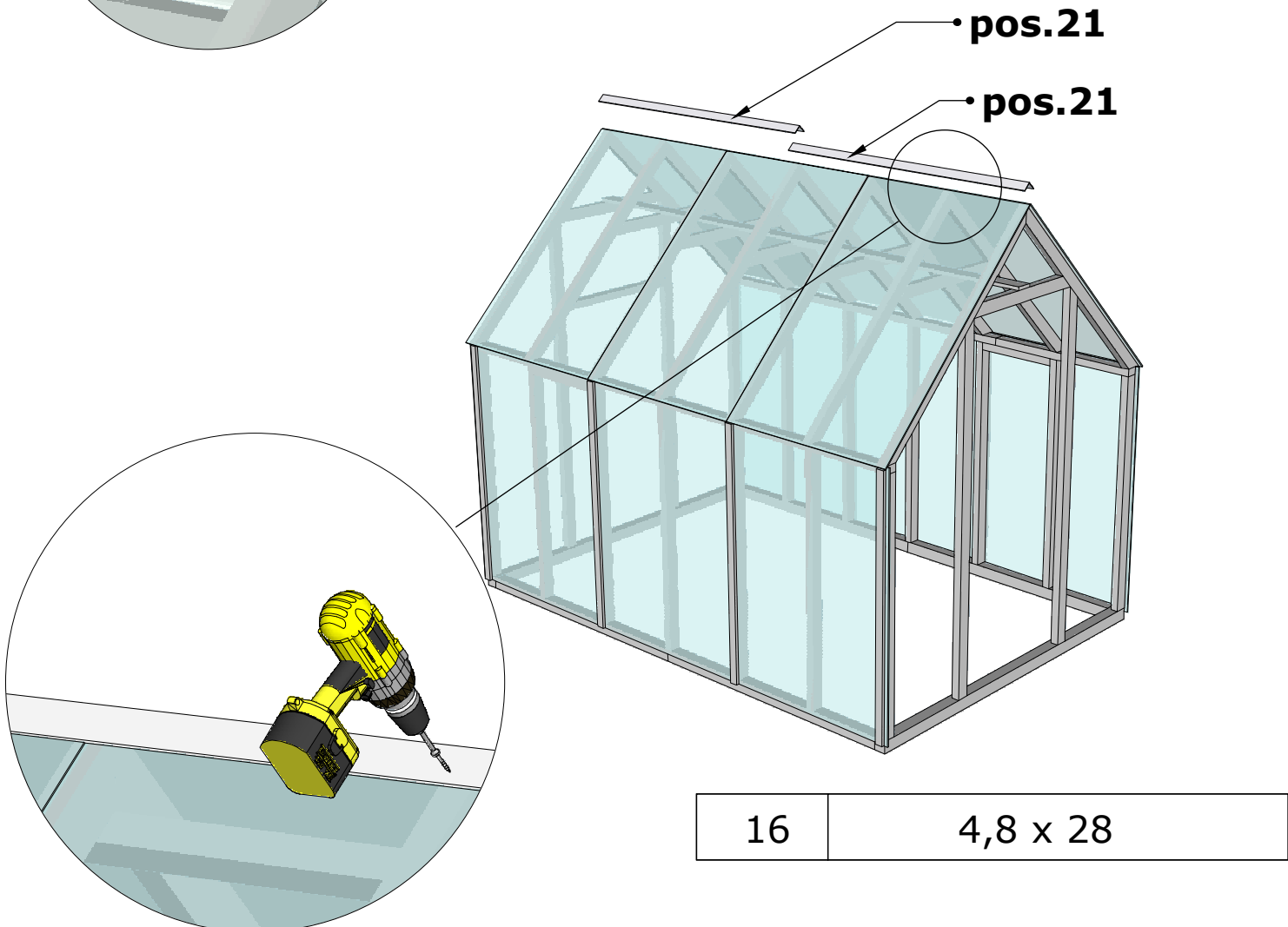
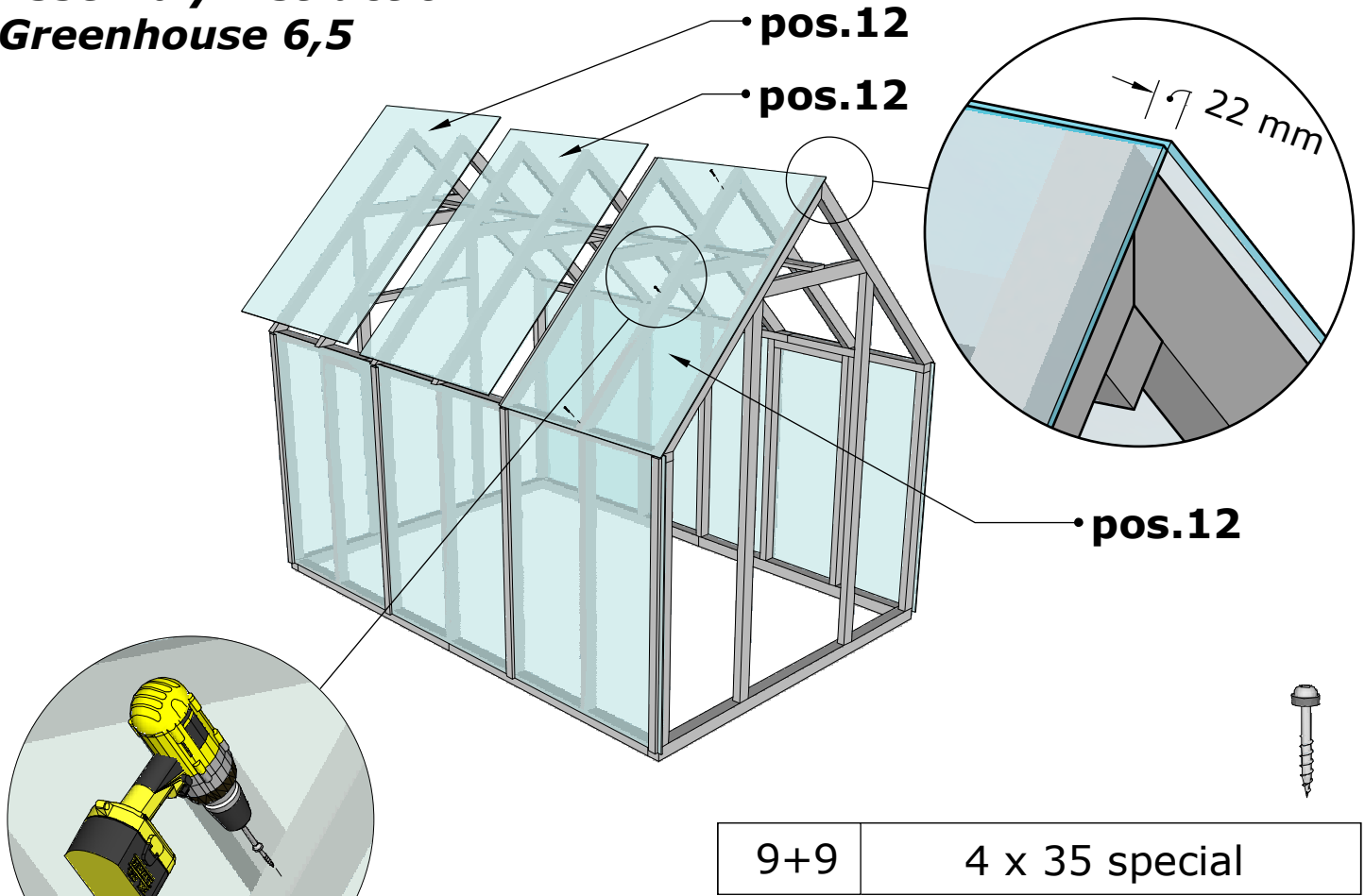


3+3	4 x 35 special
-----	----------------

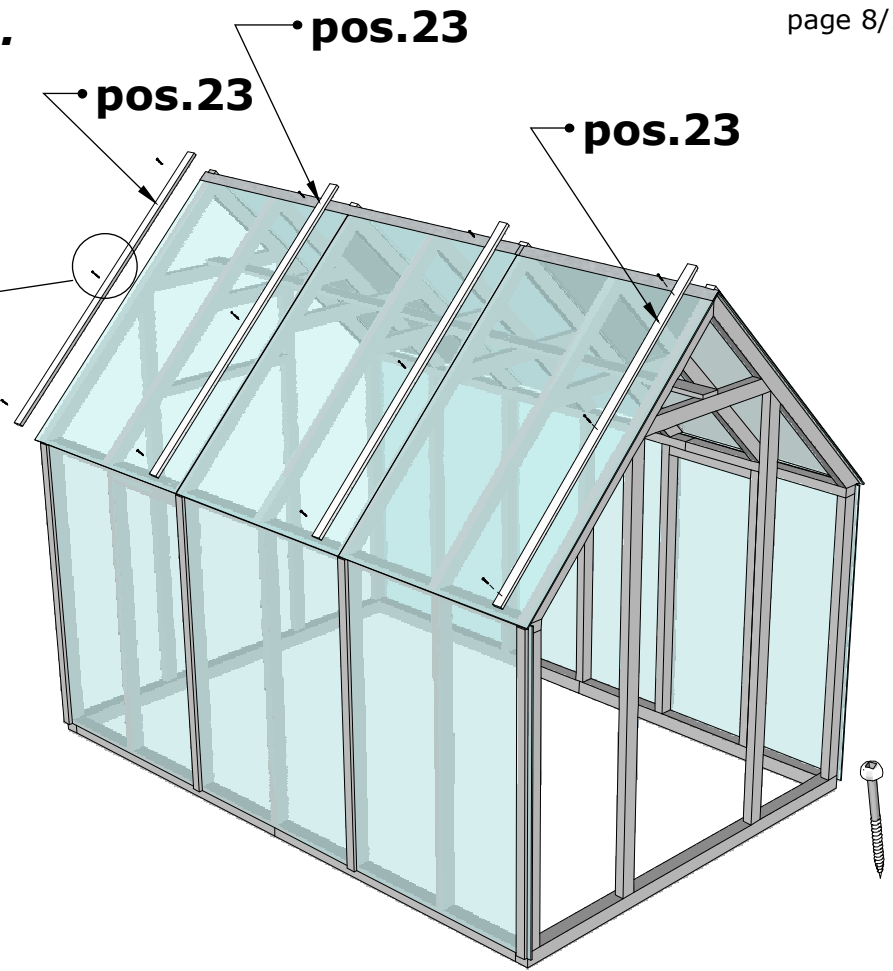
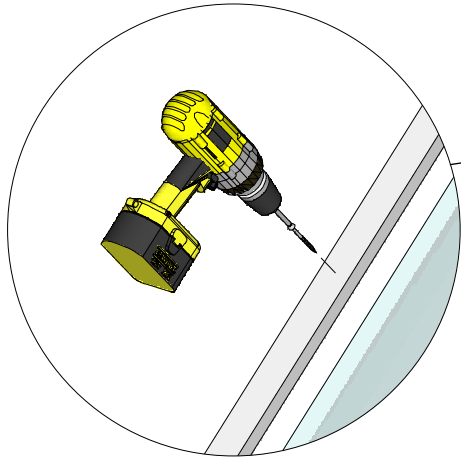


24	3,5 x 50
----	----------

Assembly instruction.
Greenhouse 6,5



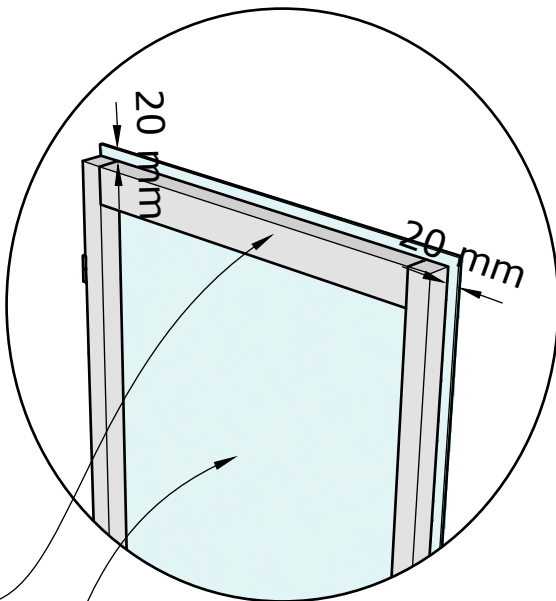
**Assembly instruction.
Greenhouse 6,5**



24	3,5 x 50
----	----------

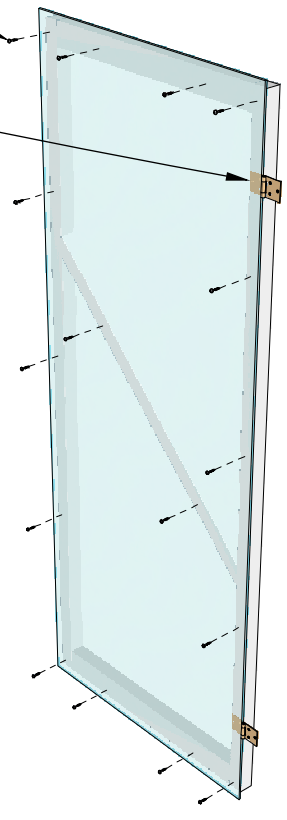
4,2 x 28

polycarbonate must be mounted on the hinges



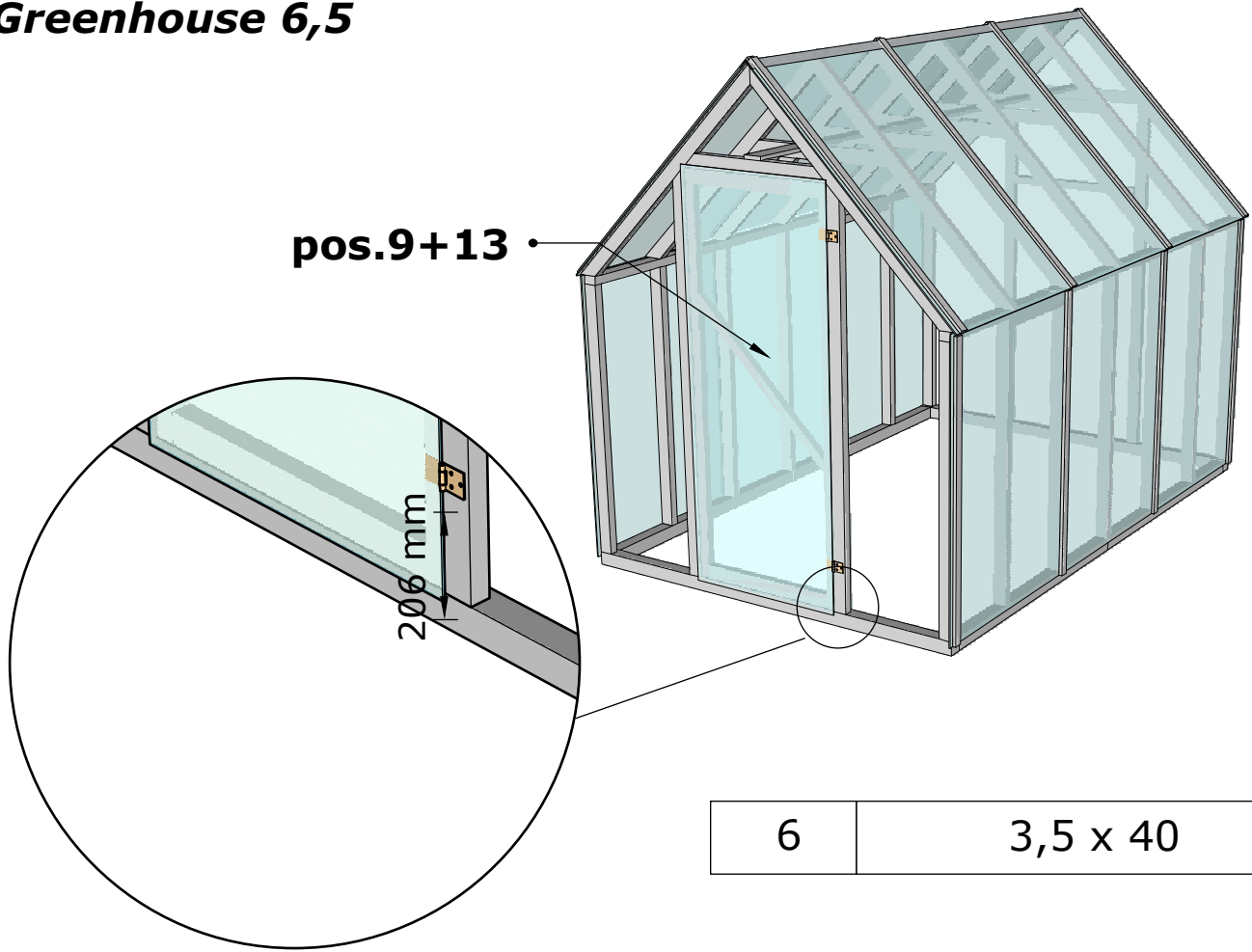
pos. 9

pos. 13

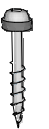
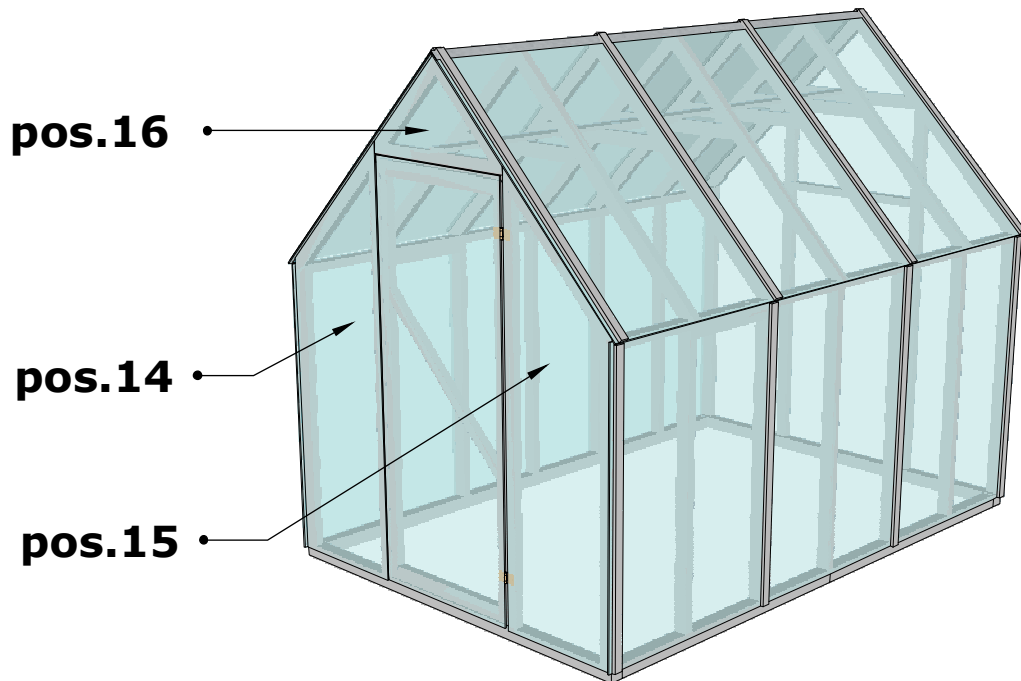


16	4 x 35 special
----	----------------

Assembly instruction.
Greenhouse 6,5

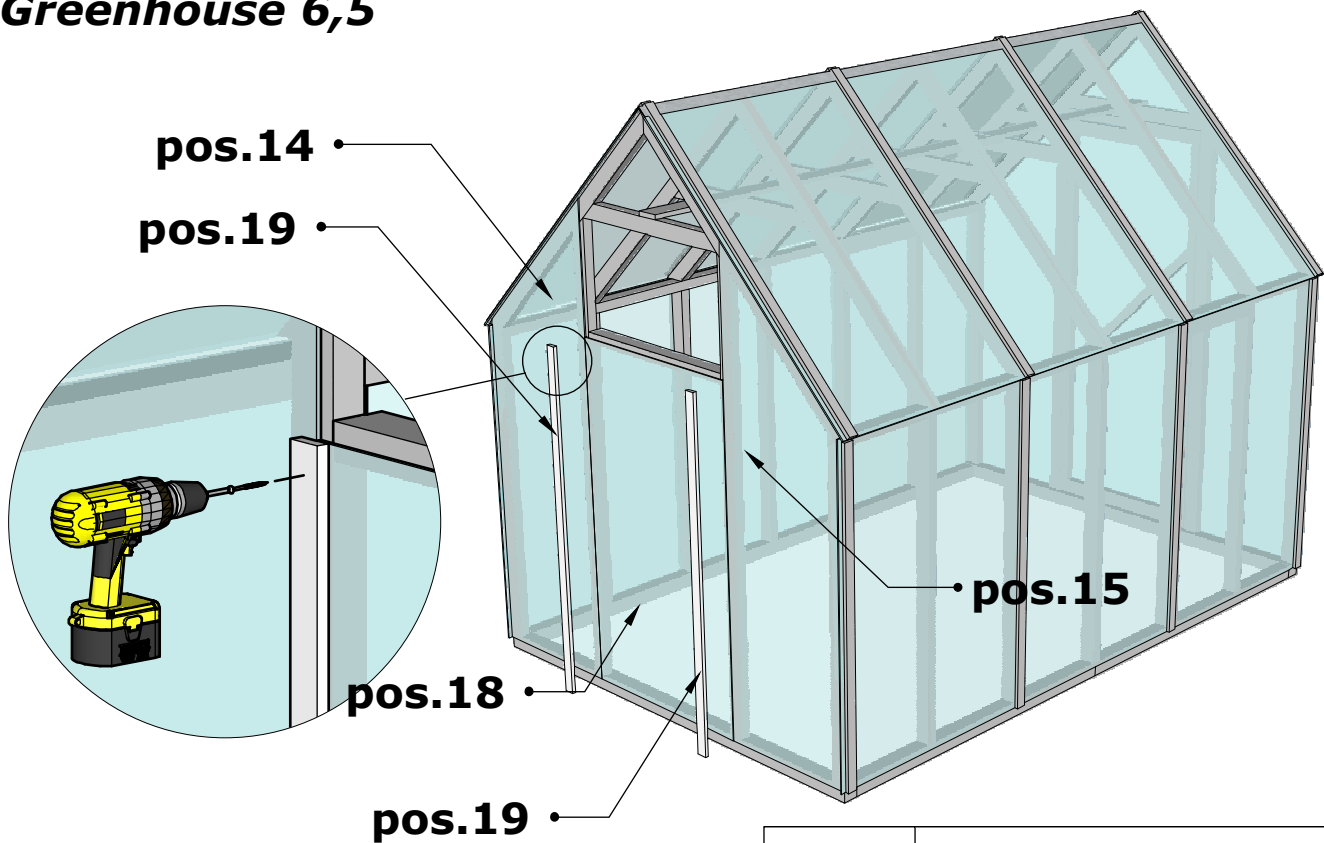


6	3,5 x 40
---	----------

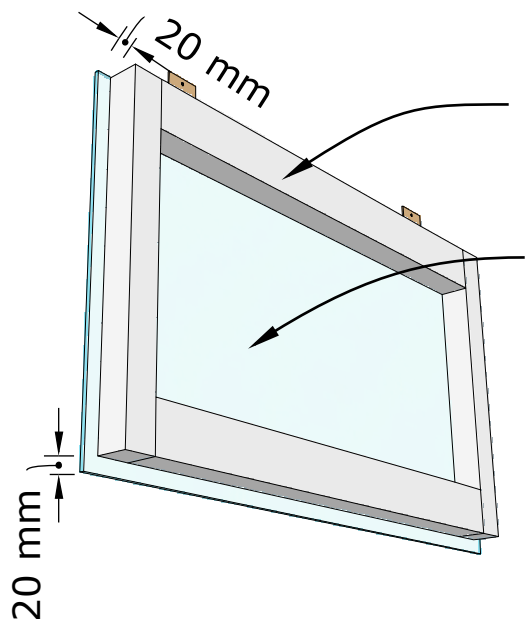


	4 x 3,5 special
--	-----------------

Assembly instruction. Greenhouse 6,5

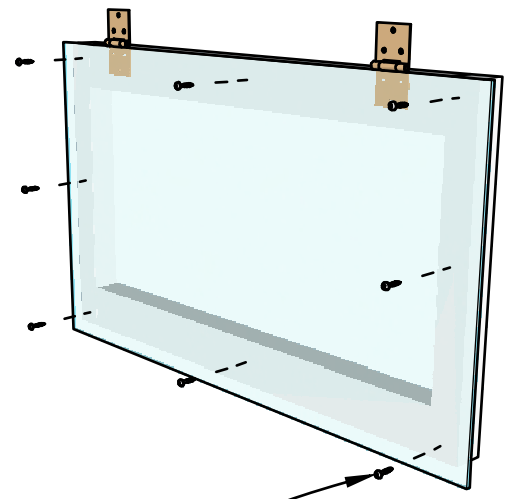


	4 x 35 special
6	3,5 x 50



pos. 10

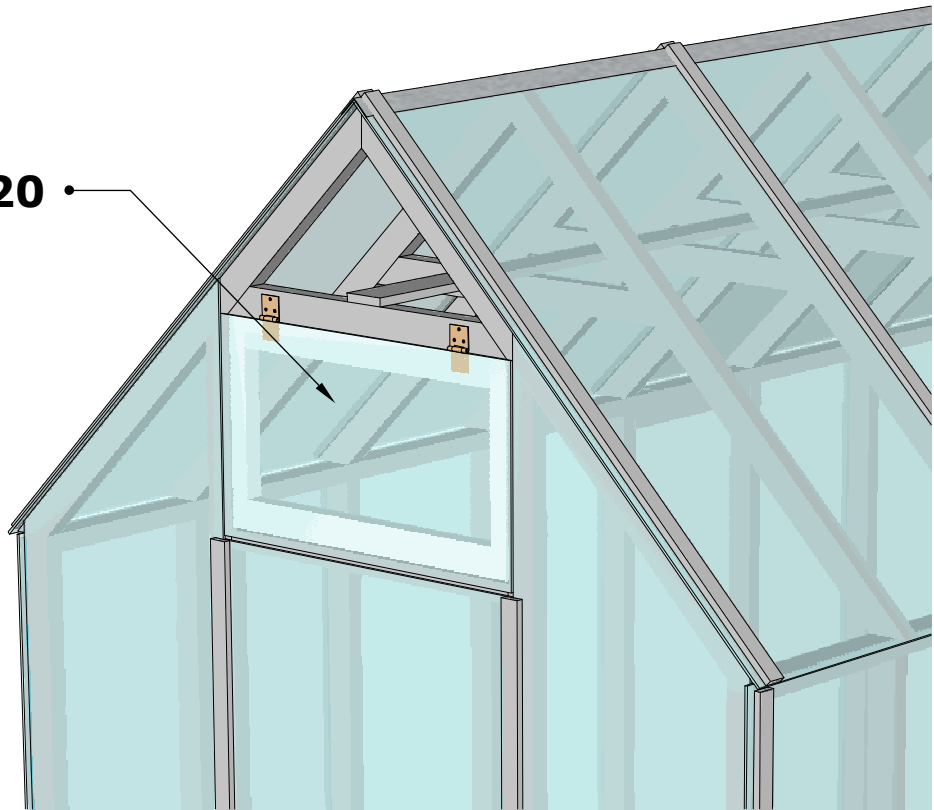
pos. 20



4,2 x 28

8	4 x 35 special
---	----------------

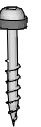
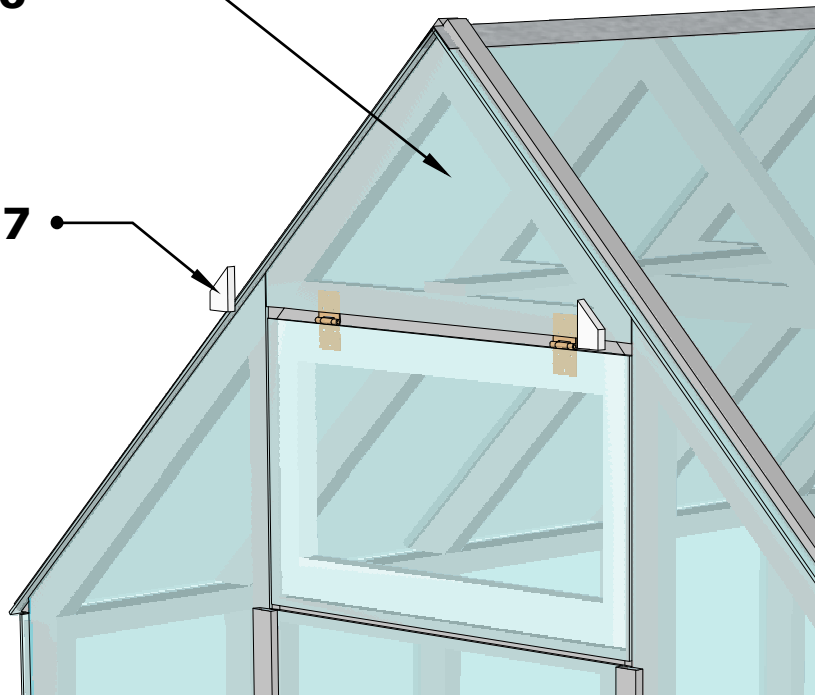
pos.10+20



6	3,5 x 40
---	----------

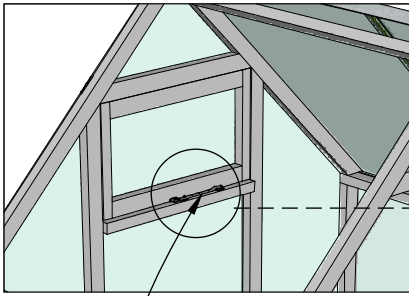
pos.16

pos.17

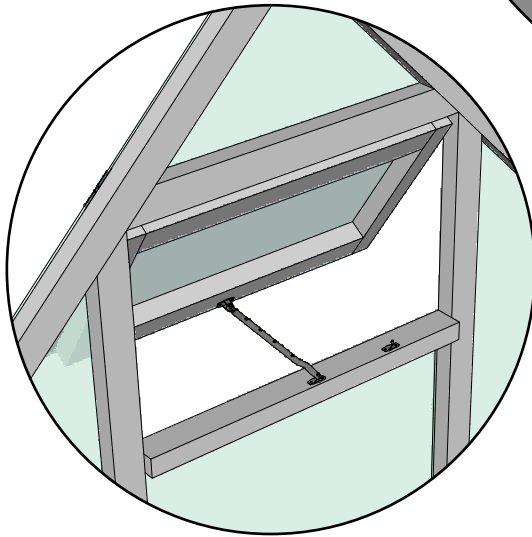
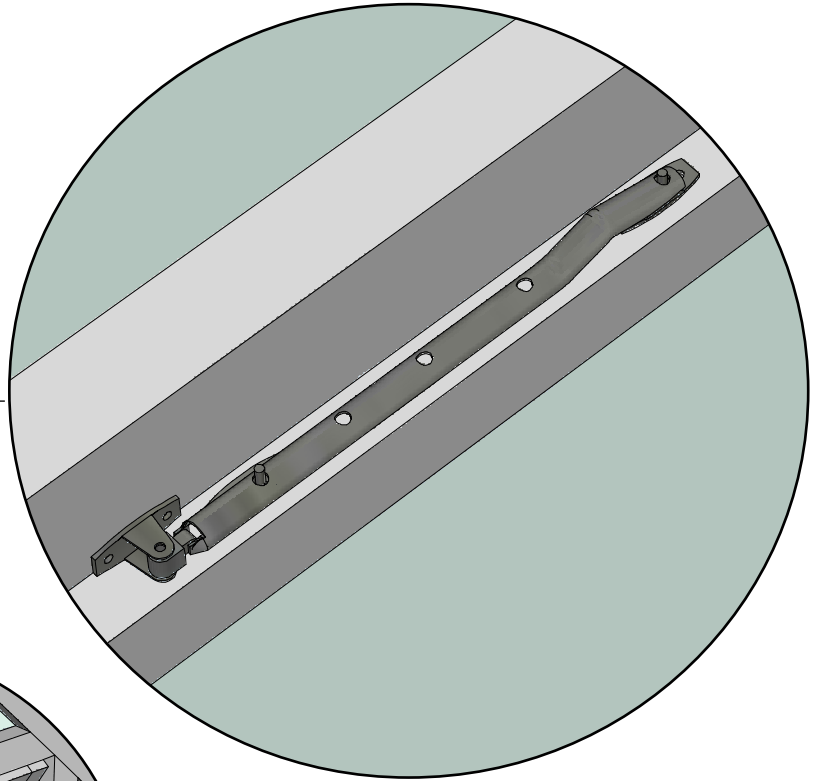


7	4 x 35 special (pos.16)
8	3,5 x 50 (pos.17)

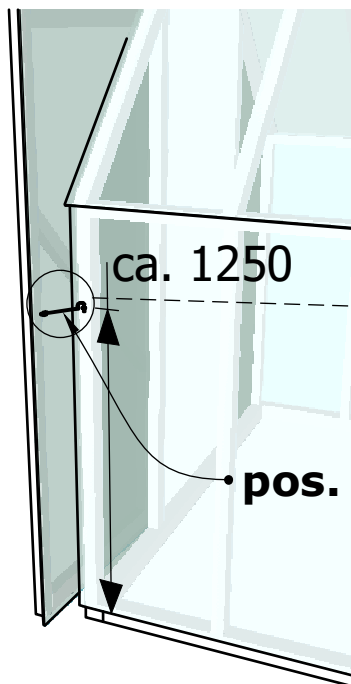
Assembly instruction.
Greenhouse 6,5



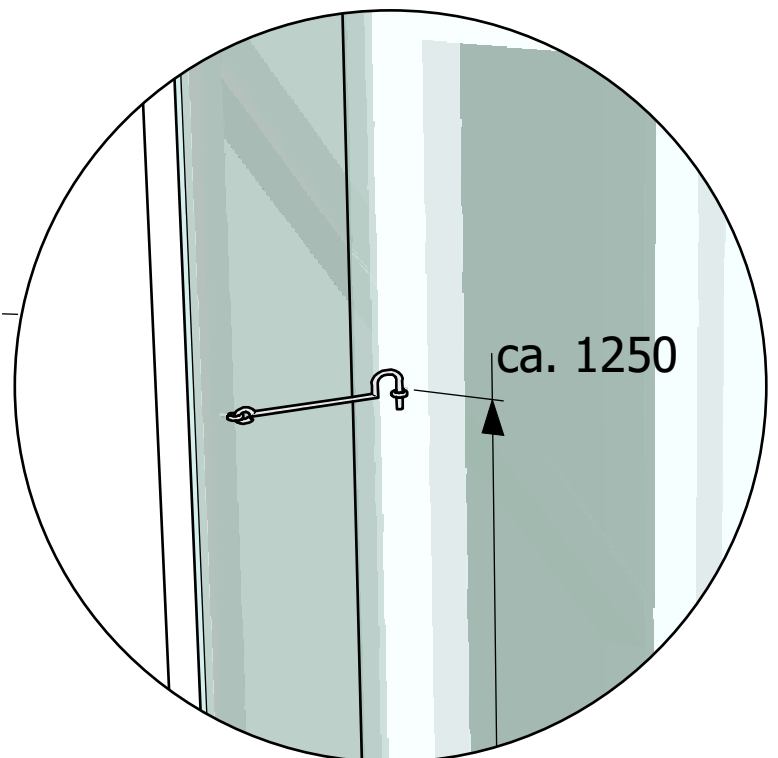
• **pos. 29**



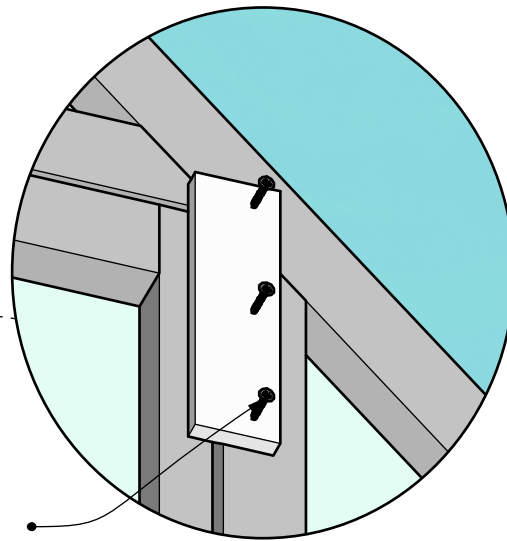
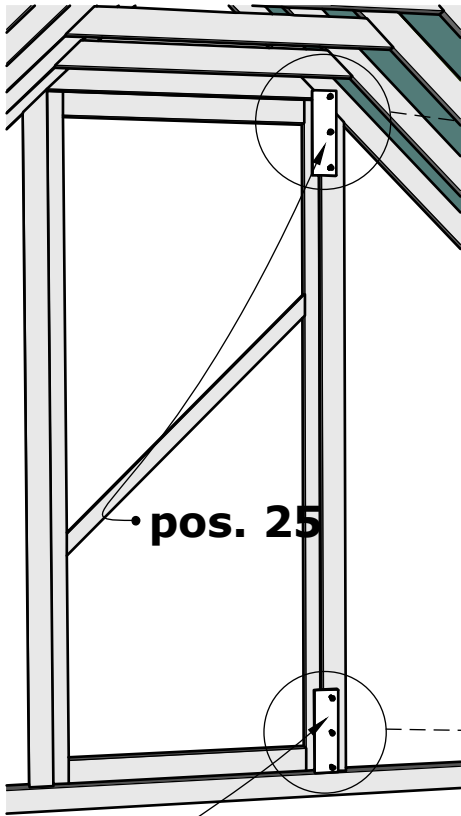
6	3,5 x 40
---	----------



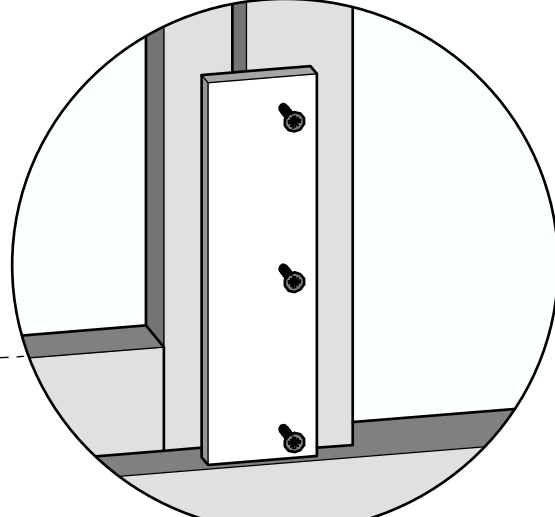
• **pos. 27**



**Assembly instruction.
Greenhouse 6,5**



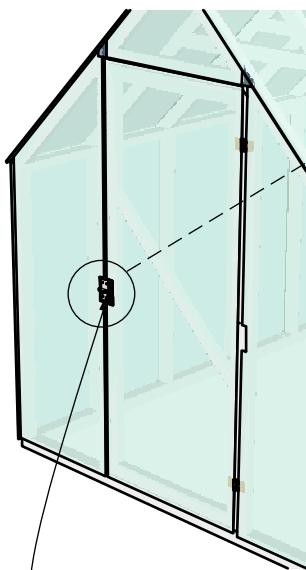
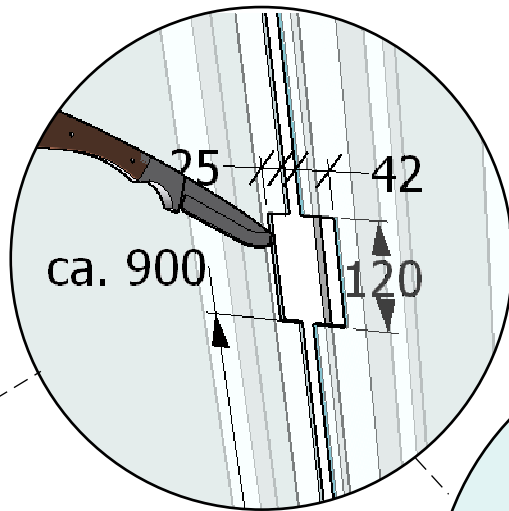
3,5 x 40



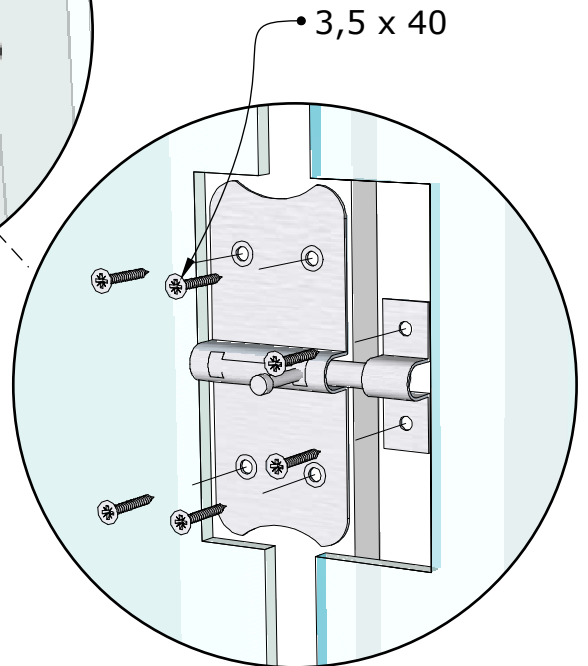
• pos. 25

• pos. 25

6	3,5 x 40
---	----------

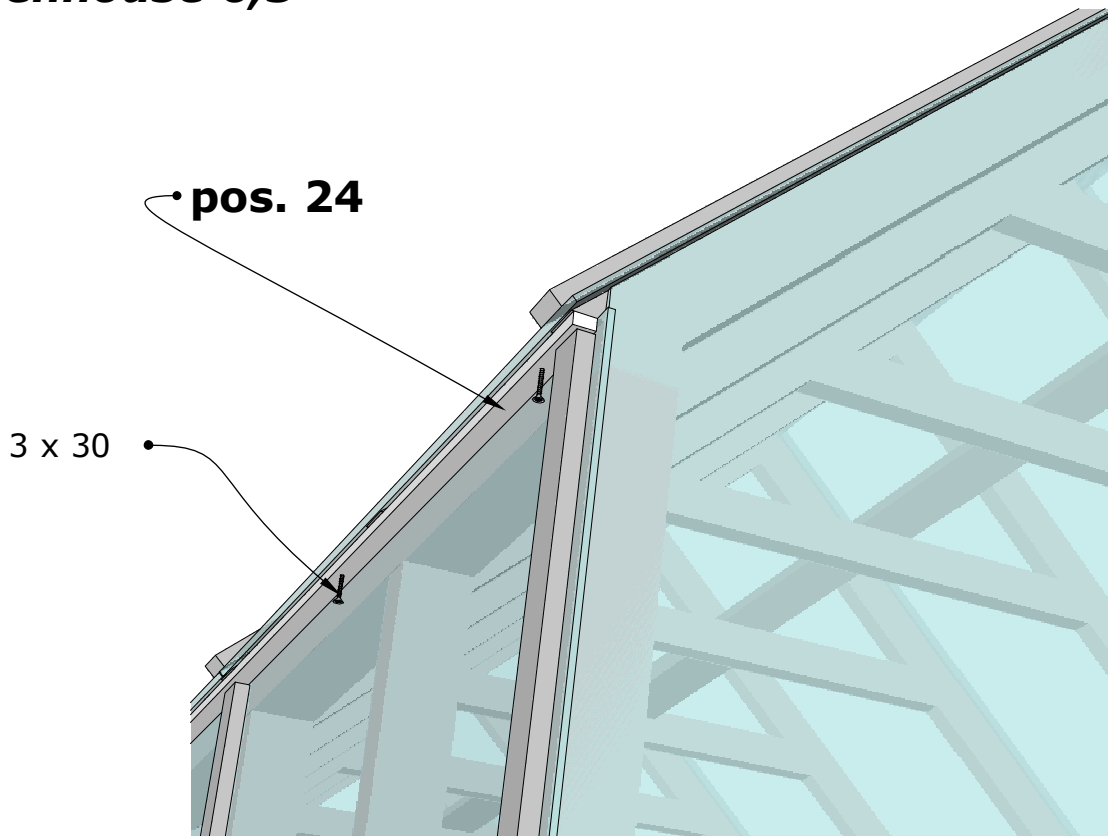


• pos. 28



• 3,5 x 40

6	3,5 x 40
---	----------



14	3 x 30
----	--------

